

D-Cryo Series

- ▶ MOPD: 1000 PSI (69 Bar)
- ▶ C_v Range: 0.040 to 0.770 (K_v Range: 0.034 to 0.655)
- ▶ 15 Watts

The D-Cryo Series is a 2-way, high flow, miniature Cryogenic valve designed and built for service down to -320°F (-196°C). Depending on your temperature requirements, the D-Cryo Series can be configured for liquid nitrogen (LN2), liquid carbon dioxide (LCO2), and other extreme temperature media. PTFE coated plungers 316 Stainless Steel guide tubes and plunger springs, encapsulated coils, and Rulon® seat seals produce a truly robust Cryogenic valve for applications requiring high cycle life and media temperature control.

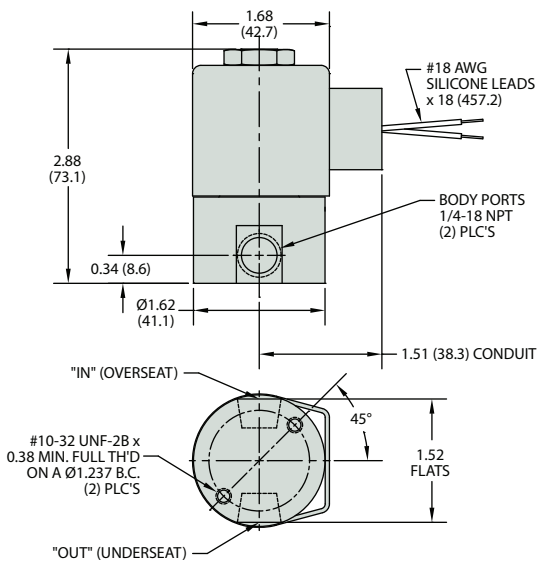
Typical Applications

- Environmental Chambers
- Food Processing
- Laser Surgical Equipment
- Semiconductor Manufacturing

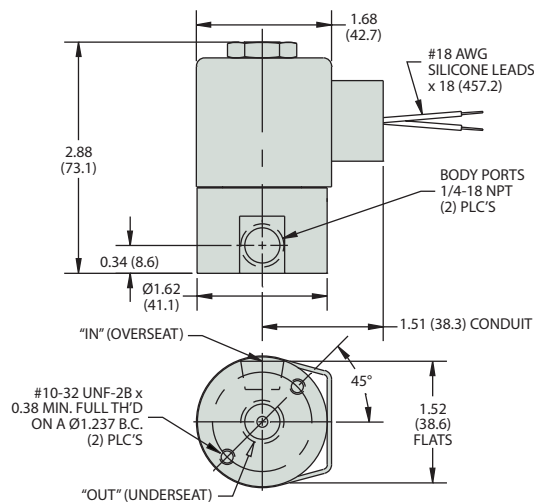


Dimensions

LN2-Liquid Nitrogen



LCO2-Liquid Carbon Dioxide



How To Order

Use the **Bold** characters from the choices listed on the following page to construct a product code.

D	N	20	02	-	05	LB	-	R	-	C6	-	204
Series	1	2	3		4	5		6		7		8
	Model	Function	MOPD		Body Material	Body Port		Seal Material		Coil Construction		Supply Voltage

Product Description from Example Shown Above:

DN2002-05LB-R-C6-204

DN2002 = B Series with LN2 Model, 2-Way Normally Closed Valve **Function**; 900 MOPD

-05LB = 316 Stainless Steel **Body Material**; 1/4" NPT Female **Body Port**

-R = Rulon® **Seal Material** (Plunger Seal and Internal Teflon Variseal)

-C6 = Conduit Housing, Epoxy Encapsulated (Class H) **Coil Construction**

-204 = 24 VDC **Supply Voltage**

D-Cryo Series – Part Number Build

Build a Valve Part Number by filling in the boxes below using the related code numbers on this page.

D	—	—	—	—	—	—	—	—
Series	1	2	3	4	5	6	7	8

1 Model

- C LCO2
- N LN2

2 + 3 Valve Function & Maximum Operating Pressure Differential

Valve Function	Code	MOPD		Orifice		C _v	K _v
		psig	bar	Body		Body	Body
				inches	mm		
2-WAY Normally Closed	2001	1000	69	3/64	1.19	0.040	0.034
	2002	900	62	1/16	1.59	0.045	0.038
	2003	640	44	3/32	2.38	0.165	0.140
	2006	375	26	1/8	3.18	0.305	0.259
	2013	185	13	5/32	3.97	0.365	0.310
	2019	130	9	3/16	4.76	0.470	0.400
	2031	40	3	1/4	6.35	0.770	0.655

4 Body Material

- 01 303 Stainless Steel
- 05 316 Stainless Steel

5 Body Port

- LB 1/4" NPT Female

6 Seal Material

- R Rulon®

7 Coil Construction

- G6 Grommet Housing, Epoxy Encapsulated (Class H) Lead Wires
- C6 Conduit Housing, Epoxy Encapsulated (Class H) Lead Wires
- C9 Conduit Housing (Filled), Epoxy Encapsulated (Class H) Lead Wires

8 Supply Voltages

- 203 12 VDC
- 204 24 VDC

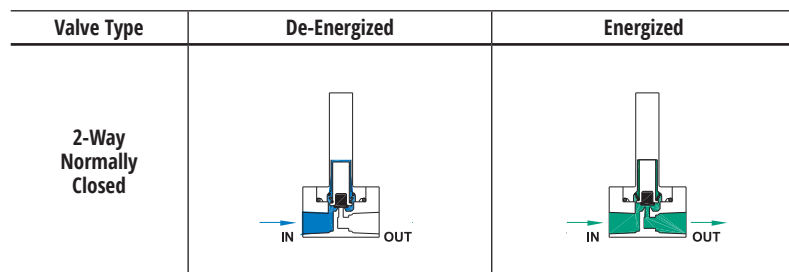
D-Cryo Series – Additional Component Details & Dimensions

2 Valve Function

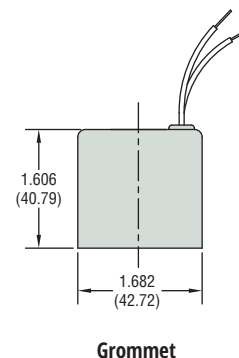
Flow Schematic

Flow Key

- Blocked Flow
- Free Flow
- O/S = Over Seat
- U/S = Under Seat



7 Coil Construction



SOLENOID VALVES